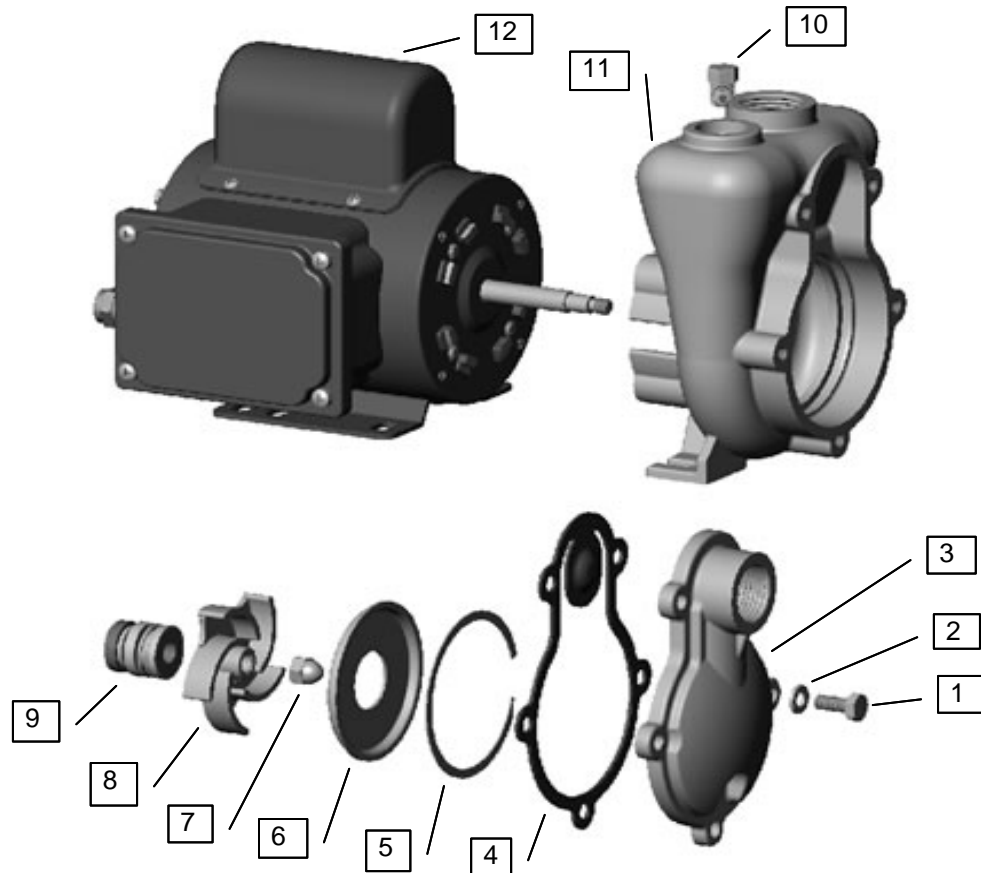


Primetime Model: PT-115/230VT-50/60



ITEM NO.	PART NO.	DESCRIPTION	QTY.
1	35039	CAPSCREW - 316 S.S. - 1/4-20 X 5/8	5
2	33564	LOCKWASHER - 316 S.S. - 1/4	5
3	35024	COVER - 316SS MACH.	1
* 4	35025	GASKET - VITON 90 DUROMETER	1
* 5	35027	RETAINING RING - 316SS	1
* 6	35026	WEAR PLATE - 316SS	1
* 7	28766	ACORN NUT - 316SS	1
* 8	34033	IMPELLER - 316SS	1
* 9	34038	MECHANICAL SEAL - VITON	1
10	21255	PIPE PLUG - 1/8" NPT 316SS	1
11	35022	HOUSING - 316SS MACH.	1
12	35342	EL. MOTOR- 115/230VAC, TENV	1

* RECOMMENDED REPLACEMENT PARTS

www.primetimepump.com