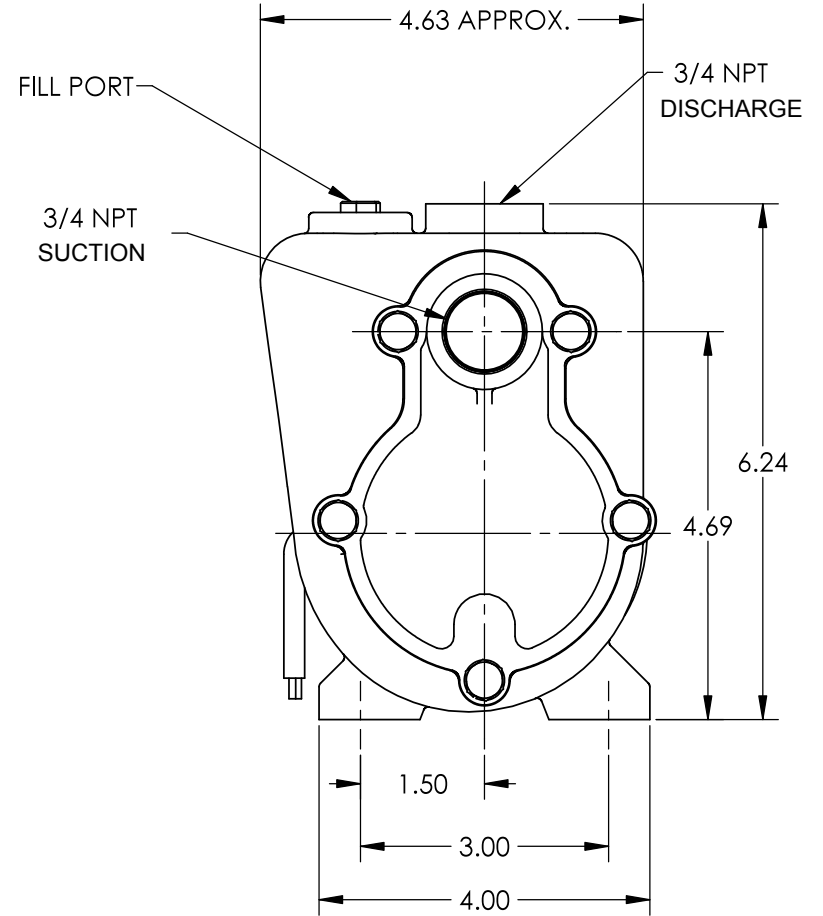
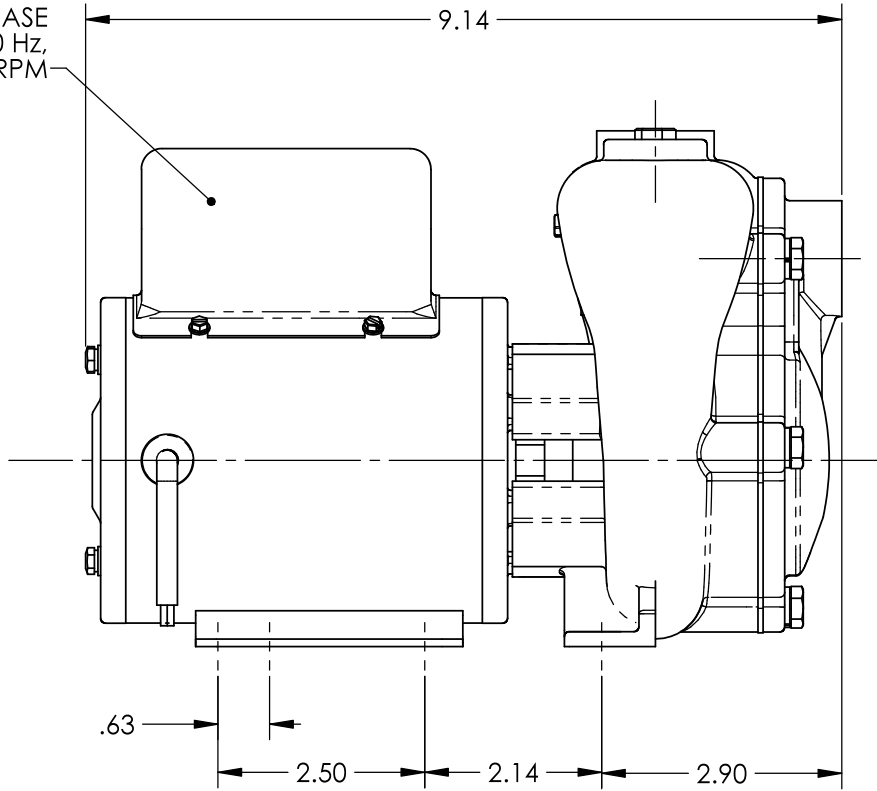


DRAWING NO.  
35264

1/6 HP, 1 PHASE  
115 VAC, 60 Hz,  
TENV 3450 RPM



NOTE: THIS DRAWING OR PRINT, PROPERTY OF TECUMSEH PRODUCTS CO. (TECUMSEH) CONTAINS PROPRIETARY AND CONFIDENTIAL INFORMATION. IT SHALL BE USED ONLY AS APPROVED BY TECUMSEH AND SHALL NOT BE GIVEN TO OTHERS OR COPIED WITHOUT THE WRITTEN CONSENT OF TECUMSEH. RETURN TO TECUMSEH PROMPTLY WHEN REQUESTED.

G				
F				
E				
D				
C				
B				
A				
REV	DESCRIPTION	DRAWN	DATE	EN

UNLESS OTHERWISE NOTED  
THIRD ANGLE PROJECTION  
2 PLACE DIM ±.020  
3 PLACE DIM ±.010  
ANGULAR DIM ±1°

**MP PUMPS, INC.**  
TECUMSEH PRODUCTS CO.  
FRASER, MICHIGAN 48026, U.S.A.

MATERIAL: 316 STAINLESS STEEL

**DO NOT SCALE**

DRAWN BY	DATE COMP.	APPROV.	SCALE	MADE FOR	MADE FROM
S.E.B.	11-16-06	D.D.	1:2		

NAME: PUMP ASSEMBLY

DRAWING NO.: 35264